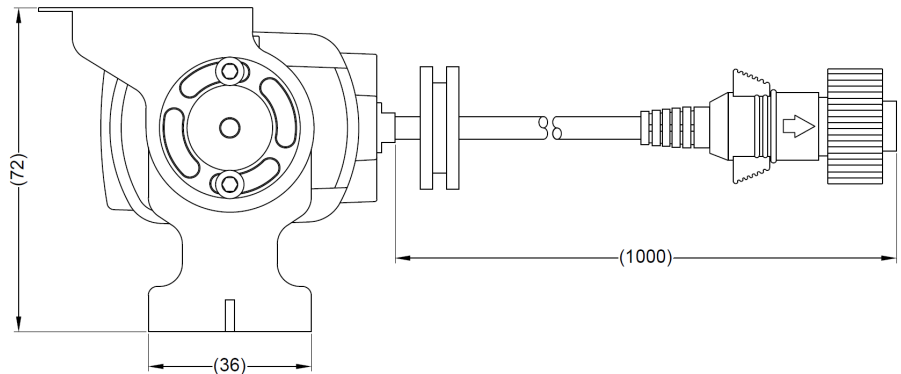
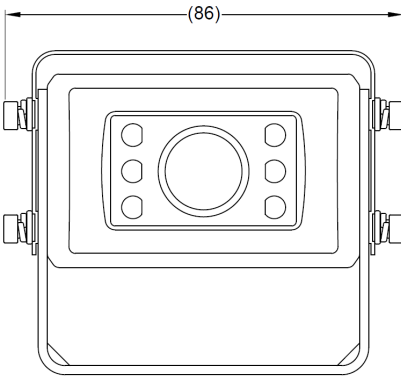


# Product Specification



**Brigade Model Number:** BE-890C BE-891C  
**Part Number:** 2871D 5427



Dimensions: mm

## Environmental Specifications:

- Shock Rating: 51G (3 axis, 6 directions)
- Vibration Rating: 8.5G (3 axis, random frequency)
- Connector IP Rating: IP67
- Camera IP Rating: IP68, IP69K
- Operating Temperature: -40° to +85 °C
- Storage Temperature: -40° to +85°C

## Approved Standards:

- CE (EN 61000-6-1:2007 + A1:2011 + AC:2012 / EN 61000-6-3:2007 + AC:2005)
- FCC (47 CFR Part 15 Subpart B)
- Industry Canada (ICES-003)
- E-Mark (ECE Regulation 10 Rev 05) - For all (ECE Regulation 46 Rev 06 with BE-870LM) - For BE-890C Only
- EMC for Earth Moving Machinery (ISO 13766:2006)
- EMC for Construction Equipment (EN 13309:2010)
- Ingress Protection (ISO 20653:2006)
- Salt Spray Corrosion (ISO 16750-4)
- RoHS
- WEEE

## Technical Specifications:

- Operating Voltage: 12 Vdc
- Current Consumption: ≤ 370mA @ 12 Vdc
- Power Consumption: ≤ 4.5Watts @ 12 Vdc
- TV System: BE-890C - PAL  
BE-891C - NTSC
- Picture Elements:  
BE-890C 720(H) x 576(V)  
BE-891C 620(H) x 480(V)
- Visual Resolution: 600TVL
- Viewing Angle:  
BE-890C 102°(H) 76°(V) 132°(D)  
BE-891C 108°(H) 80°(V) 136°(D)
- Mirror/Normal: Mirror & Normal

## Technical Specifications Continued...

- Required illumination: 0Lux (IR LEDs ON)
- Video Output: 1.0Vp-p/75Ω (PAL/NTSC)
- Length of Cable: 1000mm
- Overall Dimensions: (With Bracket)  
86mm (W) x 80mm (D) x 72mm (H)
- Weight: 335g
- Casing Material: Die cast Aluminium
- Colour: Black

## Features:

- Wide Dynamic Range
- Automatic White Balance
- Fixed IRIS - Aperture F2.5
- 5 x High Power Infrared LEDs
- Integrated Day/Night Sensor
- Integrated Heater
- BE Type Connector
- High Performance Sony CMOS Chip

## Package Contents:

- 1 x (BE-89XC-C) Camera
- 1 x (BE-89XC.BE-X0XC-BKT) Bracket
- 1 x (BE-89XC.BE-X0XC-SS) Sunshield
- 1 x (BE-8/2XXC-FIX) Fixing Pack
- 1 x (BE-8XXC.2XXC-IG) Instruction Guide